



2020

# SILVERADO SPECIAL SERVICE



Shown with equipment from independent suppliers not covered by the GM New Vehicle Limited Warranty. GM is not responsible for the safety or quality of independent supplier alterations.

GENERAL MOTORS FLEET





## About This Publication

This catalog is not updated during the model year and should not be used for ordering purposes. It is intended as a source of basic information. All illustrations and specifications in this literature are based on the latest product information available at the time of publication. General Motors reserves the right to make changes at any time without notice. For further details, consult your local dealer.

Care must be taken during customer installation of equipment and wiring to ensure that all holes drilled in the body are corrosion protected, properly sealed and that vehicle wiring harnesses, piping or other components have not been displaced or damaged. Wiring connection or splice changes are to be removed before the vehicle is returned to civilian use. Aftermarket equipment installers must be mindful of applicable Federal Motor Vehicle Safety Standards. This information can be obtained directly from the National Highway Traffic Safety Administration.

Adding non-dealer accessories or making modifications to the vehicle can affect vehicle performance, aerodynamics, and overall top speed.

These vehicles are equipped with an airbag system. The airbag system in your police vehicle includes frontal driver and front outboard passenger airbags, front seat back side impact airbags, roof rail mounted head-curtain airbags. Customer installed equipment such as security barriers behind the front seats should not be mounted so that the barrier ends are within the side airbag deployment zones. The sensors and other components for the airbag system must not be relocated to accommodate the installation of customer furnished equipment; please refer to the service manual for sensor and other component locations. For information concerning instrument panel top pad mounted equipment and airbag system deployment zones, see the airbag information section in this catalog and the vehicle owners manual.

A note about vehicle alterations by independent suppliers: This catalog shows pictures of vehicles that have been altered or upfitted with equipment or components supplied to Chevrolet or its dealers by independent suppliers. Chevrolet is not responsible for the safety or quality of design features, materials or workmanship of any alterations by a supplier.

# INDEX

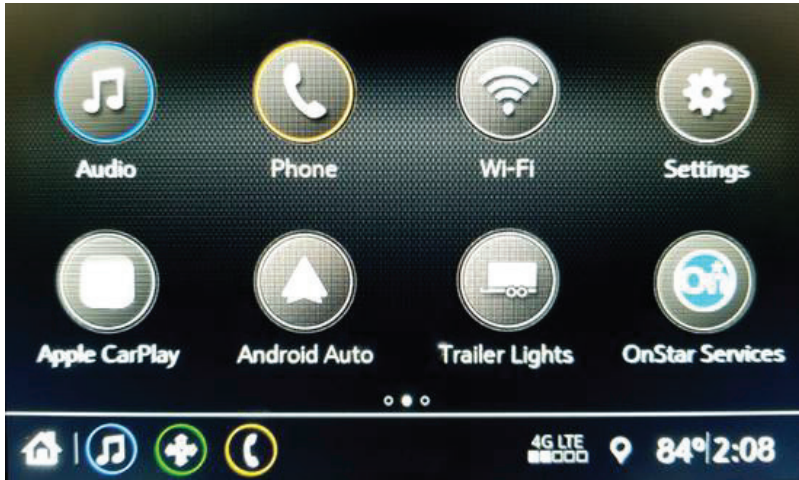
- **UPDATES FOR 2020 SILVERADO SPECIAL SERVICE 5W4 CREW CAB**
- **STANDARD FEATURES**
- **POWERTRAIN & EMISSIONS**
- **COLORS & INTERIOR TRIM**
- **OPTIONAL EQUIPMENT**
- **SPECIFICATIONS**
- **ILLUSTRATION HIGHLIGHTS**
- **GENERAL MOTORS FLEET OnStar<sup>®</sup>, SERVICEPLANS AND GM COMMERCIAL LINK PLANS**
- **WIRING DIAGRAMS**
- **AIRBAG DIMENSIONS**
- **AIRBAGS FAQ**
- **STABILITRAK**
- **MAINTENANCE AND WARRANTY**



Shown with aftermarket equipment



Standard 120-volt power outlet in bed



Standard 7" touchscreen radio

# UPDATES FOR 2020

## NEW FEATURES

- (DPO) Vertical Trailering Mirrors
- (V46) Chrome bumpers are now free flow on 1WT
- (Q5U) 17" bright machined aluminum wheels are now free flow on 1WT
- (8X8) Label, Fasten seat belts
- (5Y1) Seats, Driver and passenger individual seats
- (6N6) Door locks and handles
- (7X2) Spotlamps, Left and right hand - LED
- (7X3) Spotlamp, Left hand - LED
- (7X6) Spotlamp, Left hand - Halogen
- (7X7) Spotlamps, Left and right hand - Halogen
- (8S3) Back-up alarm
- (6J3) Wiring, Provisions for grille lamps and siren speakers
- (6J4) Wiring, Horn and siren circuit

## DISCONTINUED

- (R13) WT Appearance Package

# 2020 SILVERADO 1500 SPECIAL SERVICE 5W4 CREW CAB

NOTE: This vehicle is not designed nor intended for use in high speed emergency vehicle operations.

Special Service Package, includes: 5.3L EcoTec3 V8 Engine, heavy-duty air cleaner, 220-amp alternator, 120-volt IP power outlet, 120-volt bed-mounted power outlet, calibration that disables remote key panic button and exterior lights/horn as factory default. Surveillance Mode Calibration disables interior and exterior lighting when activated, Also includes Fleet Convenience Package.

SSV is only available as 1WT on the following models:

2 Wheel Drive CC10543 Short Box (5 feet 8 inches)  
4 Wheel Drive CK10543 Short Box (5 feet 8 inches)

2 Wheel Drive CC10743 Standard Box (6 feet 6 inches)  
4 Wheel Drive CK10743 Standard Box (6 feet 6 inches)

<b>INTERIOR FEATURES MODEL 1WT WITH OPTION 5W4</b>	
<b>AIR CONDITIONING</b>	Single-zone with rear heating/cooling air vents.
<b>ASSIST HANDLES</b>	Front A-pillar mounted for driver and passenger, rear B-pillar mounted.
<b>AUDIO SYSTEM FEATURES<sup>1</sup></b>	Chevrolet Infotainment System <sup>3</sup> with 7" diagonal color touch-screen , AM/FM stereo with seek-and-scan and digital clock, includes Bluetooth streaming audio for music and select phones; featuring Android Auto and Apple CarPlay capability for compatible phones. Includes 6 speaker system.
<b>BLUETOOTH<sup>2</sup></b>	Personal cell phone connectivity to vehicle Infotainment System.
<b>COMPASS</b>	Located in instrument cluster. Requires UE1 OnStar
<b>CONVENIENCE PACKAGE</b>	Includes, Remote Keyless Entry, EZ Lift power lock and release tailgate, cruise control and power mirrors. When ordered with (PQA) WT Safety Package, (DLF) power mirrors include (UKC) Lane Change Alert with Side Blind Zone Alert and (DP6) high-gloss mirror caps.
<b>CRUISE CONTROL</b>	Electronic with set and resume speed, steering wheel-mounted.
<b>DOOR LOCKS</b>	Power
<b>DRIVER INFO. CENTER</b>	3.5 inch diagonal monochromatic display, provides warning messages and basic vehicle information
<b>FLOOR COVERING</b>	Rubberized Vinyl (Floor mats not included)
<b>INSTRUMENTATION CLUSTER</b>	6-gauge cluster featuring speedometer, fuel level, engine temperature, tachometer, voltage and oil pressure
<b>KEYLESS REMOTE</b>	Panic button for horn disabled; exterior locator lighting and exit lighting off as default setting; remote feedback programmable via radio setting.
<b>MIRROR</b>	Inside rearview manual tilt
<b>POWER OUTLET</b>	Located on Instrument panel and Bed Mounted 120-volt (400 watt).
<b>REAR VISION CAMERA<sup>3</sup></b>	While in Reverse, allows driver to view objects directly behind the vehicle via the screen in the center stack, includes dynamic guidelines (see illustration section for description)
<b>RESTRAINT SYSTEM</b>	Seat belts at all designated seating positions with driver and front outboard passenger pretensioners. Airbags <sup>6</sup> : Dual-stage frontal airbags for driver and front outboard passenger; includes front outboard Passenger Sensing System. Seat-mounted side-impact airbags for driver and front outboard passenger; driver seat-mounted inboard side-impact airbag (requires bucket seats); Head Curtain airbags for all rows at outboard seating positions. Note: Nine inch seatbelt extenders are available (part number 19259268) through our dealers at no charge.
<b>SEAT, FRONT</b>	40/20/40 Split Bench with Vinyl trim. Driver and front passenger seat adjuster are 4-way manual (for cloth trim and power seat availability see seat availability page).
<b>SEAT, REAR</b>	60/40 folding bench (folds up), 3-passenger (includes child seat top tether anchor). Includes Rear seat reminder.
<b>SURVEILLANCE MODE</b>	Calibration to disable interior & exterior automatic lighting. Feature is activated by adding wire connection to the BCM by customer/upfitter.
<b>STEERING COLUMN</b>	Tilt-Wheel, manual with wheel locking security feature
<b>TEEN DRIVER MODE</b>	Configurable feature that lets you activate configurable features that activates vehicle settings associated with a key fob, to encourage safe driving behavior. It can limit certain vehicle features, and it prevents certain safety systems from being turned off. An in-vehicle report card gives you information on driving habits and helps you to continue to coach your new driver.
<b>TEMPERATURE DISPLAY</b>	Exterior temperature display located in radio display
<b>THEFT DETERRENT SYSTEM</b>	Vehicle Immobilizer (prevents vehicle start without correct key or remote). Content Theft System not available. See your Owner's Manual for system information.
<b>USB PORT</b>	Located on instrument panel
<b>UPFITTER CIRCUITS</b>	When optional Upfitter Switch Kit 9L7 is not ordered and installed, Auxiliary Instrument Panel harness connector (X260) circuits can be used for up-fitting. Connector X260 is located to the left of the steering column near the bottom of the instrument panel. X260 Circuit information and technical assistance is available at <a href="http://www.gmupfitter.com">www.gmupfitter.com</a> . Refer to Bulletin #155
<b>WINDOWS</b>	Power front, drivers express up/down. Front passenger express down. Rear power express down.
<b>EXTERIOR FEATURES - MODEL 1WT WITH OPTION 5W4</b>	
<b>BUMPER FRONT</b>	Black (semi-gloss).
<b>BUMPER REAR</b>	Black (semi-gloss) with corner step.
<b>CARGO TIE DOWN</b>	12 fixed, Rated at 500 pounds per corner.
	<ol style="list-style-type: none"> <li>1. Functionality varies by model. Full functionality requires compatible Bluetooth and smartphone. Some devices require USB connectivity</li> <li>2. Go to <a href="http://my.chevrolet.com/learn">my.chevrolet.com/learn</a> to find out which Bluetooth phones are compatible with the vehicle</li> <li>3. Read the vehicle Owner's Manual for more important feature limitations and information.</li> <li>4. Always use seat belts and child restraints. Children are safer when properly secured in a rear seat in the appropriate child restraint. See the Owner's Manual for more information.</li> </ol>

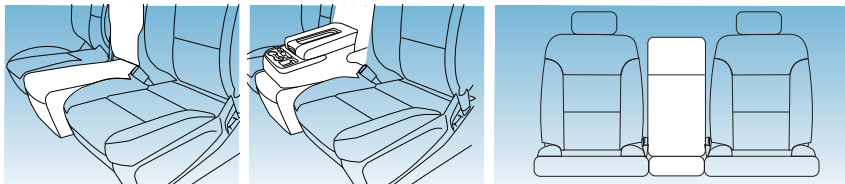
# 2020 SILVERADO 1500 SPECIAL SERVICE 5W4 CREW CAB

<b>CAPLESS FUEL FILL</b>	The vehicle has a capless refueling system and does not have a fuel cap. The filling nozzle must be fully inserted and latched prior to starting fuel flow. NOTE: Overfilling the fuel tank by more than three clicks of a standard fill nozzle may cause, vehicle performance issue, including engine stalling and damage to the fuel system, fuel spills, potential fuel fires.
<b>DOOR HANDLES</b>	Black
<b>GLASS</b>	Solar absorbing, tinted.
<b>GRILLE</b>	Black bars with mesh inserts
<b>HEADLAMPS</b>	Halogen reflector with Halogen Daytime Running Lamps and Automatic Exterior Lamp Control. Altering headlamp assembly is not-Recommended. General Motors is not responsible for the effects of any modifications
<b>LAMPS</b>	Cargo area, cab mounted integrated with center high mount stop lamp, with switch in bank on left side of steering wheel
<b>MIRRORS, OUTSIDE</b>	Heated power adjustable - included and only available with (PCV) WT Convenience Package or (ZLQ) WT Fleet Convenience Package. When (PQA) WT Safety Package is ordered, includes (DP6) high gloss black mirror caps.
<b>POWER OUTLET</b>	Bed mounted 120-volt (400 watt)
<b>PICKUP BED</b>	Built from high-strength roll-formed steel for durability with 12 fixed corner tie downs and 110v outlet
<b>RECOVERY HOOKS</b>	Front, frame-mounted, Black Included with 4WD models or included and only available on 2WD models with (PQA) WT Safety Package NOTE: Front recovery hooks are for vehicle recovery only. To avoid the risk of injury, never use recovery hooks to tow a vehicle.
<b>TAILGATE</b>	Remote locking tailgate with power lowering button on dash and fob
<b>TAILLAMPS</b>	Incandescent tail, stop and reverse lights
<b>TIRES</b>	255/70R17 all-season, blackwall (includes P255/70R17 All-season blackwall spare tire)
<b>TIRE PRESSURE MONITOR WITH TIRE FILL ALERT</b>	Tire Pressure Monitoring System. Standard spare wheel not equipped with TPM sensor. Includes Tire Fill Alert in addition to the DIC warning when a tire has low pressure. This feature provides audible and visual indication when air is being added to the low tire to aid in achieving optimal tire pressure.
<b>TIRE, SPARE CARRIER</b>	Keyed cylinder lock utilizes same key as ignition and door
<b>WHEELS</b>	17 inch x 8 inch Ultra Silver Painted Steel, includes spare
<b>MECHANICAL FEATURES - MODEL 1WT WITH OPTION 5W4</b>	
<b>AIR FILTER</b>	High capacity
<b>ALTERNATOR</b>	220 amp Charging System with Idle Boost increases alternator output at idle with increased electrical load. See Specifications page for Alternator Output Chart.
<b>BATTERY</b>	Heavy-duty 720 cold-cranking amps/80 Amp-hr, maintenance-free with rundown protection and retained accessory power
<b>BRAKES</b>	4-wheel disc with DURALIFE rotors, 4-wheel antilock
<b>BRAKE WEAR</b>	Brake wear indicator
<b>BRAKE PAD LIFE DISPLAY</b>	Displays an estimate of the remaining life of the front and rear brake pads. Messages will display based on brake pad wear and the state of the system. Reset the Brake Pad Life display after replacing the brake pads. See Brake Pad Life
<b>BRAKE PAD LIFE SYSTEM</b>	Tells when to Change Brake Pads. Brake pad life is displayed in the Driver Information Center (DIC), along with a percentage for each axle. When the system has determined that the brake pads need to be replaced a message will display which may include mileage remaining. Brake pads should always be replaced as complete axle sets.
<b>ENGINE</b>	5.3L EcoTec3 V8 with Active Fuel Management, Direct Injection and Variable Valve Timing, includes aluminum block construction (355 hp [265 kW] @ 5600 rpm, 383 lb-ft of torque [518 Nm] @ 4100 rpm; more than 300 lb-ft of torque from 2000 to 5600 rpm)
<b>FRAME</b>	Fully-boxed, hydroformed front section
<b>FUEL TANK</b>	Approximately 26 gallon (98 liter)
<b>OIL COOLING</b>	External engine oil cooler and auxiliary transmission oil cooler
<b>RADIO SUPPRESSION</b>	The Silverado vehicle systems are designed to prevent unwanted emissions and to minimize susceptibility and maximize immunity to external emissions (Electromagnetic (EMI) or Radio Frequency (RFI) Interference). Most emergency vehicle communications equipment operating at frequencies in the VHF Band (30-300 MHz) and up to frequencies in the UHF Band (300 MHz-3GHz) will function as intended without enhanced noise suppression.
<b>REAR AXLE</b>	3.42
<b>STABILITRAK</b>	Stability control system with Proactive Roll Avoidance and traction control includes electronic trailer sway control and hill start assist. For description see Stability Control and Traction Control section
<b>STEERING</b>	Electric Power Steering (EPS) assist, rack-and-pinion
<b>SUSPENSION, FRONT</b>	Independent, coil over shock, includes 35mm twin tube shock absorbers
<b>SUSPENSION, REAR</b>	2-Stage multi-leaf springs, semi-elliptic
<b>TRANSFER CASE</b>	Single speed, electronic Autotrac with rotary dial control.
<b>TRANSMISSION</b>	6-speed automatic electronically controlled with overdrive and tow/haul mode. Includes Cruise Grade Braking and Powertrain Grade Braking
<b>WARRANTY</b>	See Maintenance and Warranty section for description

# 2020 SILVERADO 1500 SPECIAL SERVICE 5W4 CREW CAB

## FRONT SEATS AND INTERIOR TRIM

**STANDARD (A52) - 40/20/40 SPLIT-BENCH IN VINYL TRIM**, 3-passenger, driver and front passenger manual recline with outboard head restraints, fold-down armrest and fixed lumbar. Driver and front seat passenger seat adjuster are 4-way manual. Cloth trim and (A2X) 10-way power driver seat including lumbar are available.

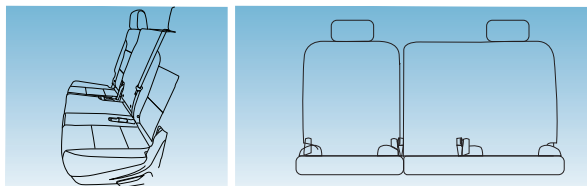


Seat Code	Seat Trim	Color	Color Code
A68	Vinyl	Jet Black	H2G
A68	Cloth	Jet Black	HOU

A2X Driver 10-way power seat including lumbar. Requires (ZLQ) WT Fleet Convenience Package.

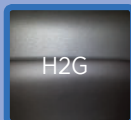
## REAR SEATS AND INTERIOR TRIM

**STANDARD - A68 VINYL REAR SEAT** Vinyl rear bench 60/40 split-folding seat.

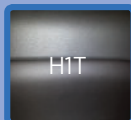


Seat Code	Seat Trim	Color	Color Code
A68	Vinyl	Jet Black	H2G
A68	Cloth	Jet Black	HOU

## AVAILABLE INTERIOR COLOR Actual colors may vary

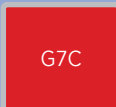


H2G  
Jet Black Vinyl



H1T  
Jet Black cloth

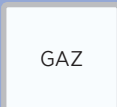
## AVAILABLE EXTERIOR COLORS Actual colors may vary



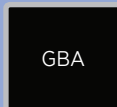
G7C  
Red Hot



GAN  
Silver Ice Metallic



GAZ  
Summit White



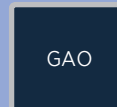
GBA  
Black



G2X  
Havana Brown Metallic



G9K  
Satin Steel Metallic



GAO  
Northsky Blue Metallic



GJ1  
Shadow Gray Metallic



SEO PAINT AVAILABLE

COLOR DESCRIPTION	SEO CODE	WA#
Woodland Green	9V5	9015
Doeskin Tan	NONE	9403
Wheatland Yellow	9W3	253A
Tangier Orange	9W4	9417
Unripened Green Metallic	NONE	136X
Indigo Blue	NONE	9792
Lt. Autumnwood Metallic	NONE	228A
Pewter	NONE	382E
Dark Toreador Red	NONE	334D
Orange	NONE	WA-770H
Orange	NONE	WA-9419
Yellow	NONE	WA-5248
Yellow	NONE	WA-5445
Yellow	NONE	WA-5456
Yellow	NONE	WA-9414
Blue	NONE	WA-7154
Blue	NONE	WA-5405
Blue	NONE	WA-5405
Arrival Blue Metallic	NONE	WA-815K

**NOTE:**

- Actual color may vary
- GM will require 5 orders before sending to the plant
- May require extended lead time

## OPTIONAL EQUIPMENT

### INTERIOR

VV4	<b>4G LTE WI-FI® HOTSPOT<sup>1</sup></b> - Can connect up to 7 devices; includes 4G LTE data trial for 1 month or 3GB (whichever comes first). Available Wi-Fi requires compatible mobile device, active OnStar service and data plan. Data plans provided by AT&T. Visit <a href="http://www.gmfleet.com/technology/connected-vehicle.html">www.gmfleet.com/technology/connected-vehicle.html</a> for details and system limitations
UTQ	<b>ALARM, HORN CONTENT THEFT DETERRENT, DISABLED</b> - Calibration disables the horn for the theft deterrent alarm.
RIA	<b>ALL WEATHER FLOOR LINER</b> - 1st and 2nd rows Includes Chevrolet Bowtie logo (replaces factory floor mats). Requires (B30) color-keyed carpeting. Not available with (Z71) Off-Road Package
8S3	<b>BACK-UP ALARM</b> - 97 decibels. Not available with SEO (SFW) Back-up alarm calibration
C49	<b>DEFOGGER, REAR WINDOW</b> - Electric
B30	<b>FLOOR COVERING</b> - Color-keyed carpeting. Includes front and rear vinyl floor mats
8X8	<b>LABEL, FASTEN SAFETY BELTS</b> - "Fasten Safety Belts" reminder label on right hand and left hand front side door glass
BCV	<b>LOCK CONTROL REAR DOOR, AUTO DOOR LOCKS DISABLE</b> - Calibration disables auto door locks and is activated through radio or DIC settings
UE1	<b>OnStar®</b> - Fleet orders receive a 3-month trial of Fleets Connection Services and 3 months of Fleet Safety & Security plan coverage. Connected services include navigation services and remote access plan and 1 month 3 GB of 4G LTE data (whichever comes first) from vehicle delivery date. Data plans offered by AT&T. Certain service require working electrical system, cell service, GPS signal. Onstar links to emergency services. See <a href="http://www.gmfleet.com/technology/connected-vehicle.html">www.gmfleet.com/technology/connected-vehicle.html</a> for details and limitations
5N5	<b>REAR CAMERA KIT</b> - Kit includes camera, fixed position bracket & 19 ft cable with attachment clips. Rear camera radio calibration provided from the factory. See Upfitter Integration Bulletin for installation instructions at <a href="http://www.gmupfitter.com">www.gmupfitter.com</a>
6N6	<b>REAR DOOR LOCKS AND HANDLES, INOPERATIVE</b> - Inside rear doors inoperative (doors can only be opened from outside) Requires Silao Production and (GEZ) Kerr Industries Ship-thru
UD7	<b>REAR PARK ASSIST<sup>2</sup></b> - Ultrasonic Requires (V46/VJH) Chrome bumpers, (Z82) Trailing Package, (JL1) trailer brake controller and (K14) power outlet. Read the vehicle owner's manual for important safety or driver assistance feature limitations and information
VBJ	<b>REAR UNDERSEAT STORAGE</b> - Composite storage bin (see optional equipment section for illustration)
6N5	<b>REAR WINDOWS, INOPERATIVE</b> - Rear windows only operate from drivers position
5T5	<b>SEATS</b> - Front cloth and second row vinyl
A2X	<b>SEAT ADJUSTER</b> - Driver 10-way power seat including lumbar. Requires (K14) 120-volt power outlet and (KC9) 120-volt bed-mounted power outlet
5Y1	<b>SEATS, DRIVER AND PASSENGER FRONT INDIVIDUAL SEATS</b> - Derived from a 40-20-40 split bench seat with the 20% section removed. Also removes the USB port and auxiliary power outlet when (AZ3) bench seat is ordered. Does not include a floor console. All exposed floor area will remain untrimmed., Deletes the center section of the front bench seat. Requires (BG9) rubberized vinyl flooring
5L5	<b>THEFT DETERRENT SYSTEM FLEET IMMOBILIZER</b> - In the absence of master key, reduces roadside key relearn process to (3) two-minute cycles in place of the standard (3) ten-minute cycles. This option will also allow for only one learned key to be needed when adding additional keys instead of 2 learned keys
9L7	<b>UPFITTER SWITCH KIT (5)</b> - Provides 3-30 amp and 2-20 amp configurable circuits to facilitate installation of aftermarket electrical accessories. Kit with all required parts will be shipped loose with the truck for installation by the dealer or upfitter at customer expense. Installation instructions and technical assistance available at <a href="http://www.gmupfitter.com">www.gmupfitter.com</a>
6J3	<b>WIRING</b> - Provisions for grille lamps and siren speakers. Requires Silao Production and (GEZ) Kerr Industries Ship-thru
6J4	<b>WIRING</b> - Horn and siren circuit Requires Silao Production and (GEZ) Kerr Industries Ship-thru
PQA	<b>WT SAFETY PACKAGE</b> - Includes (UD5) Front and Rear Park Assist, (UKC) Lane Change Alert with Side Blind Zone Alert, (UFG) Rear Cross Traffic Alert, (V46) Chrome front bumper, (VJH) Chrome rear bumper and (DP6) high gloss Black mirror caps. Includes Perimeter Lighting. Requires (PCV) WT Convenience Package, (ZLQ) WT Fleet Convenience Package or (PEB) WT Value Package, (K14) 120-volt power outlet
ZLQ	<b>WT FLEET CONVENIENCE PACKAGE</b> - Includes (AQQ) Remote Keyless Entry, (QT5) EZ Lift power lock and release tailgate, (K34) cruise control, (DLF) power mirrors
PEB	<b>WT VALUE PACKAGE</b> - Includes (PCV) WT Convenience Package and (Z82) Trailing Package. Not available with (ZLQ) WT Fleet Convenience Package

### EXTERIOR

VQO	<b>ASSIST STEP</b> - Black work step, Included with (PDW) Assist Step and Tonneau Value Package. Not available with any other assist steps
VHX	<b>ASSIST STEPS</b> - Chromed tubular, 6" rectangular. Not available with any other assist steps
VXJ	<b>ASSIST STEPS</b> - Chromed round 4". Not available with any other assist steps
RVQ	<b>ASSIST STEPS</b> - Black 6" tubular rectangular. Not available with any other assist steps
RVS	<b>ASSIST STEPS</b> - Black 4" round. Not available with any other assist steps
PDR	<b>ASSIST STEP AND TONNEAU PACKAGE</b> - Includes (VOZ) Tri-fold hard tonneau cover, your choice of either (RVQ) 6" Black rectangular assist steps, (RVS) 4" Black round assist steps, (VXH) 6" chrome rectangular chrome round assist steps. Not available with (PDW) Assist Step and Tonneau Value Package
PDW	<b>ASSIST STEP AND TONNEAU VALUE PACKAGE</b> - Includes (VQO) Black work step, (63B) Tri-fold soft tonneau cover. Not available with (PDR) Assist Step and Tonneau Package or any other assist steps or tonneau covers
CGN	<b>BEDLINER, CHEVYTEC SPRAY-ON</b> - Black with Chevrolet logo (does not include spray-on liner on tailgate due to Black composite inner panel). Not available with any Ship Thrus EXCEPT (VCO), (VDT), (VYC) or (VYS)
RW9	<b>BEDSIDE STORAGE BOXES</b> - Not available to order at this time. Locking over the wheel well hard plastic weatherproof storage (left and right side). See OPTIONAL EQUIPMENT page for picture. (Late availability)

1. Service varies with conditions and location. Requires active service plan and paid AT&T data plan. See [onstar.com](http://onstar.com) for details and limitations  
2. Read the vehicle owner's manual for important safety or driver assistance feature limitations and information

## 2020 SILVERADO 1500 SPECIAL SERVICE 5W4 CREW CAB

V46	<b>BUMPER, FRONT CHROME</b> - Requires (VJH) Chrome rear bumper. Included with (PQA) WT Safety Package
5J9	<b>CALIBRATION, TAILLAMP FLASHER, RED/WHITE</b> - Calibration flashes white (backup) and red (brake lamps) alternately when activated
VQY	<b>CHROME RECOVERY HOOKS</b> - Requires 2WD model. Deletes and not available with (V76) Black recovery hooks
PDB	<b>DARK ESSENTIALS PACKAGE</b> - Includes (RIK) Black nameplates, (SFZ) Black bowtie and (SB7) Black tailgate lettering
9G8	<b>DAYTIME RUNNING LAMPS DELETE</b> - Daytime Running Lamps and automatic headlamp control delete, deletes standard Daytime Running Lamps and automatic headlamp control features from the vehicle for police stealth surveillance. Not available in Canada
9M4	<b>DECAL AND NAME PLATE DELETE</b> - Tailgate. Deletes all nameplates and decals on the pickup box tailgate. Not available with SEO (8F2) ornamentation delete
9R1	<b>DECAL DELETE</b> - Pickup box Deletes the "4x4" decal from the side of the pickup box. Requires 4WD models only. Not available with SEO (8F2) ornamentation delete
S3U	<b>FOG LAMPS</b> - Front mounted, LED
AKO	<b>GLASS</b> - Deep tinted
6E2	<b>KEY SINGLE</b> - Complete vehicle fleet. Provides a single key with a specific code that is common to the door locks and ignition of all the vehicles in the vehicle fleet. Key code is an alternate to SEO 6E8 complete vehicle fleet common key.
6E8	<b>KEY SINGLE</b> - Complete vehicle fleet. Provides a single key with a specific code that is common to the door locks and ignition of all the vehicles in the fleet. Key code is an alternate to SEO 6E2.
5H1	<b>KEY EQUIPMENT</b> - Two additional keys for single key system. Provides two additional spare keys for a total of (4). (Keys will be cut but not programmed) NOTE: programming of keys is at customer's expense. Programming keys is not a warranty expense
UF2	<b>LED CARGO AREA LIGHTING</b> - Located in pickup bed, activated with switch on center switch bank or key fob
VK3	<b>LICENSE PLATE KIT</b> - Front (will be shipped to orders with ship-to states that require front license plate)
DP6	<b>MIRROR CAPS, PAINTED</b> - Body-color. High gloss Black Included and only available with (PQA) WT Safety Package
DPO	<b>MIRRORS VERTICAL TRAILERING</b> - Outside power-adjustable vertical trailering with heated upper glass, lower convex mirrors, integrated turn signals, clearance lamps and auxiliary lighting; manual folding/extending. Requires (PCV) WT Convenience Package or (PEB) WT Value Package and either (Z82) Trailering Package or (DD8) autodimming inside rearview mirror
8F2	<b>ORNAMENTATION, DELETE</b> - Deletes decals and nameplates on truck exterior
9V5	<b>PAINT</b> - Solid, Woodland Green All normally body colored non-sheet metal parts will be Black May require extended lead time. Door handles and mirrors will be grain Black Deletes standard/packaged body side moldings. Requires (TGK) Special Paint and (01U) Special Paint
9W3	<b>PAINT</b> - Solid, Wheatland Yellow. All normally body colored non-sheet metal parts will be Black May require extended lead time. Door handles and mirrors will be grain Black Deletes standard/packaged body side moldings. Requires (TGK) Special Paint and (01U) Special Paint
9W4	<b>PAINT</b> - Solid, Tangier Orange. All normally body colored non-sheet metal parts will be Black May require extended lead time. Door handles and mirrors will be grain Black Deletes standard/packaged body side moldings. Requires (TGK) Special Paint and (01U) Special Paint
SFW	<b>REAR BACKUP ALARM CALIBRATION</b> - This calibration will allow installation of an aftermarket backup alarm. Not available with SEO (8S3) backup alarm
V76	<b>RECOVERY HOOKS</b> - Front, frame-mounted, Black Standard with 4WD models. Available with 2WD models. <b>NOTE:</b> Front recovery hooks are for vehicle recovery only. To avoid the risk of injury, never use recovery hooks to tow a vehicle
O1U	<b>SPECIAL EXTERIOR SPECIAL EXTERIOR COLOR</b> - All normally body colored non-sheet metal parts will be black including front fender extensions, cab spoiler on Double & Crew cabs and LT trim door handles. May require extended lead time
VQK	<b>SPLASH GUARDS, MOLDED</b> - Black (see optional equipment section for illustration)
7X2	<b>SPOTLAMPS, LEFT AND RIGHT HAND</b> - Pillar mounted LED. Requires Silao Production and (GEZ) Kerr Industries Ship-thru. Not available with SEOs (7X3, 7X6 or 7X7) Spotlamps
7X3	<b>SPOTLAMP, LEFT HAND</b> - Pillar mounted LED. Requires Silao Production and (GEZ) Kerr Industries Ship-thru. Not available with SEOs (7X2, 7X6 or 7X7) Spotlamps
7X6	<b>SPOTLAMP, LEFT HAND</b> - Pillar mounted Halogen. Requires Silao Production and (GEZ) Kerr Industries Ship-thru. Not available with SEOs (7X2, 7X3 or 7X7) Spotlamps
7X7	<b>SPOTLAMPS, LEFT AND RIGHT HAND</b> - Pillar mounted Halogen. Requires Silao Production and (GEZ) Kerr Industries Ship-thru. Not available with SEOs (7X2, 7X3 or 7X6) Spotlamps
SAF	<b>TIRE CARRIER LOCK</b> Keyed cylinder lock utilizes same key as ignition and door
RHM	<b>TIRE, SPARE</b> - LT265/70R17 all-terrain, blackwall included and only available with (RC5) LT265/70R17C all-terrain, blackwall tires
XCQ	<b>TIRE, SPARE</b> - 265/70R17SL all-season, blackwall. Requires (QDV) 265/70R17 all-terrain blackwall tires or all 18" wheels and tires
QDV	<b>TIRES</b> - 265/70R17 all-terrain, blackwall
RC5	<b>TIRES</b> - LT265/70R17C all-terrain, blackwall. Includes spare tire
R30	<b>TIRES, LT275/65R18C MT</b> - Goodyear Wrangler DuraTrac, Blackwall. Requires (Z71) Off-Road Package and (PZX) 18" Bright Silver painted aluminum wheels
6M9	<b>TIRE, SPARE 265/70R17</b> - Blackwall Goodyear Wrangler DuraTrac. Requires (Z71) Off-Road Package and (PZX) 18" Bright Silver painted aluminum wheels
VQT	<b>TONNEAU COVER</b> - Hard tri-folding with vinyl cover, Requires (UF2) LED Cargo Box Lighting
VOZ	<b>TRI-FOLD HARD TONNEAU COVER</b> - Included with (PDR) Assist Step and Tonneau Package. Not available with any other tonneau cover.
PZX	<b>WHEELS</b> - 18" x 8.5" (45.7 cm x 21.6 cm) Bright Silver painted aluminum. Requires (Z71) Off-Road Package and (R3O) 265/70R18SL maximum traction tires
Q5U	<b>WHEELS</b> - 17" x 8" (43.2 cm x 20.3 cm) Bright Silver painted aluminum
SFE	<b>WHEEL LOCKS</b> - Set of 4
5Z4	<b>WHEEL, SPARE</b> - Carrier and lock delete. Deletes the base spare wheel, carrier and lock. Does not delete jack or tools. Requires SEO (9L3) spare tire delete. Not available with (RC3). Tires, 265/70R17 all-terrain, blackwall
OOA	<b>WHEEL, SPARE</b> - Upgrade. Replaces Black standard spare wheel and upgrades to a matching Silver steel road wheel. Includes tire pressure monitoring sensor. Requires (RD6) painted steel wheels. Not available with SEO. (5Z4) spare wheel, carrier and lock delete

**MECHANICAL**

<b>K05</b>	<b>ENGINE BLOCK HEATER</b>
<b>FHS</b>	<b>E85 FLEX FUEL CAPABLE</b> - Can run on unleaded or up to 85% ethanol. Requires (L82) 5.3L EcoTec3 V8 engine
<b>R9Y</b>	<b>FLEET FREE MAINTENANCE CREDIT</b> - This option code provides a credit in lieu of the free oil changes, tire rotations and inspections for one maintenance service during 1st year of ownership. The invoice will detail the applicable credit. The customer will be responsible for all oil change, tire rotations and inspections costs for this vehicle. Requires one of the following Fleet or Government order types: FBC, FBN, FCA, FCN, FLS, FNR, FRC or FGO. Not available with FDR order types
<b>9C2</b>	<b>GOVERNOR, ELECTRONIC SPEED SENSOR SET TO 65 MPH</b> - Provides electronic software to limit maximum road speed to 65-MPH. Cruise control limited to 60 MPH
<b>9B9</b>	<b>GOVERNOR, ELECTRONIC SPEED SENSOR SET TO 70 MPH</b> - Provides electronic software to limit maximum road speed to 70-MPH. Cruise control limited to 65 MPH
<b>9D7</b>	<b>GOVERNOR, ELECTRONIC SPEED SET TO 75 MPH</b> - Provides electronic software to limit maximum road speed to 75-MPH. Cruise control limited to 70 MPH
<b>Z71</b>	<b>OFF-ROAD PACKAGE</b> - Off-Road Package, Includes (Z71) Off-Road suspension, (JHD) Hill Descent Control, (NZZ) skid plates, (K47) heavy-duty air cleaner and Z71 hard badge. Requires 4WD model, (Z82) Trailering Package and AT or MT tires. Includes (G80) locking differential and (NQH) 2-speed transfer case
<b>G80</b>	<b>REAR DIFFERENTIAL</b> - Heavy-duty locking
<b>JL1</b>	<b>TRAILER BRAKE CONTROLLER</b> - integrated (requires Z82 trailering package)
<b>Z82</b>	<b>TRAILERING PACKAGE</b> - Includes trailer hitch, 7-pin and 4-pin connector and (CTT) Hitch Guidance. Included with (PEB) WT Value Package
<b>NQH</b>	<b>TRANSFER CASE, TWO-SPEED</b> - Electronic Autotrac with rotary dial control (4WD models only) Included and only available with (Z71) Off-Road Package
<b>NZZ</b>	<b>SKID PLATES</b> - Included with (BAQ) Work Truck Package, (Z71) Off-Road Package or (VYU) Snow Plow Prep Package
<b>VKZ</b>	<b>SHIP THRU</b> - Produced in Silao Assembly and shipped to Kerr Industries. Returned to Arlington Assembly for shipping to final destination (Dealer Invoice = \$505.00)
<b>BAQ</b>	<b>WORK TRUCK PACKAGE</b> - Includes (NZZ) skid plates and (K47) heavy-duty air cleaner. Requires 4WD model, (QDV) 265/70R17 blackwall all-terrain tires or (RC5) LT265/70R17C all-terrain tires. Not available with (Z71) Z71 Off-Road Package or (VYU) Snow Plow Prep Package

**NOTE: See dealer for additional dealer installed accessories.**

FLEET CONNECTED SERVICES AND OnStar PLANS<sup>1</sup>

<b>POJ</b>	<b>ADDITIONAL 21 MONTHS OF FLEET SAFETY &amp; SECURITY PLAN.</b> Provides 21 months of Safety and Security Plan coverage in addition to the 3 months of standard coverage that is included in the price of the vehicle. Total Safety & Security Plan service duration is 24 months. Requires (UE1) OnStar. Requires one of the following: Fleet or Government order types: FLS, FNR, FRC, FBC, FGO or FEF. Not available with POK or POL. Not available with a ship-to of Puerto Rico or the Virgin Islands.
<b>POK</b>	<b>ADDITIONAL 33 MONTHS OF FLEET REMOTE ACCESS PLAN.</b> Provides 33 months of Remote Access Plan in addition to the 3 months of standard coverage that is included in the price of the vehicle. Total OnStar Remote Access Plan service duration is 36 months. Requires (UE1) OnStar. Requires one of the following: Fleet or Government order types: FLS, FNR, FRC, FBC, FGO or FEF. Not available with POM or POU. Not available with a ship-to of Puerto Rico or the Virgin Islands.
<b>POL</b>	<b>ADDITIONAL 45 MONTHS OF FLEET SAFETY &amp; SECURITY PLAN.</b> Coverage provides 45 months of Safety and Security in addition to the 3 months of standard coverage that is included in the price of the vehicle. Total Fleet Safety & Security Plan service duration is 48 months. Requires (UE1) OnStar. Requires one of the following: Fleet or Government order types: FLS, FNR, FRC, FBC, FGO or FEF. Not available with POJ or POK. Not available with a ship-to of Puerto Rico or the Virgin Islands.
<b>POM</b>	<b>ADDITIONAL 21 MONTHS OF FLEET REMOTE ACCESS PLAN.</b> Provides 21 months of Remote Access Plan in addition to the 3 months of standard coverage that is included in the price of the vehicle. Total OnStar Remote Access Plan service duration is 24 months. Requires (UE1) OnStar. Requires one of the following: Fleet or Government order types: FLS, FNR, FRC, FBC, FGO or FEF. Not available with POK or POU. Not available with a ship-to of Puerto Rico or the Virgin Islands.
<b>PON</b>	<b>ADDITIONAL 33 MONTHS OF FLEET REMOTE ACCESS PLAN.</b> Provides 33 months of Remote Access Plan in addition to the 3 months of standard coverage that is included in the price of the vehicle. Total OnStar Remote Access Plan service duration is 36 months. Requires (UE1) OnStar. Requires one of the following: Fleet or Government order types: FLS, FNR, FRC, FBC, FGO or FEF. Not available with POM or POU. Not available with a ship-to of Puerto Rico or the Virgin Islands.
<b>POO</b>	<b>ADDITIONAL 45 MONTHS OF FLEET REMOTE ACCESS PLAN.</b> Provides 45 months of Remote Access Plan in addition to the 3 months of standard coverage that is included in the price of the vehicle. Total OnStar Remote Access Plan service duration is 48 months. Requires (UE1) OnStar. Requires one of the following: Fleet or Government order types: FLS, FNR, FRC, FBC, FGO or FEF. Not available with POM or PON. Not available with a ship-to of Puerto Rico or the Virgin Islands.

GM COMMERCIAL LINK

<b>POG</b>	<b>GM COMMERCIAL LINK - 1 YEAR OF SERVICE.</b> Includes 12 months of GM Commercial Link service. Provides access and reporting for key vehicle information such as speed, location and maintenance through website and mobile application. Eligible customers must sign up for an account at <a href="http://www.gmcommerciallink.com">www.gmcommerciallink.com</a> in order take advantage of this 12 month offer. The Commercial Link service is included in the price of the vehicle. Total service duration is 12 months. Non-Transferrable. Non-Refundable. Requires (UE1) OnStar. Requires one of the following: Fleet or Government order types: FLS, FNR, FRC, FBC, FGO or FEF. Not available with (POH) GM Commercial Link - 2 years of Service or (POI) GM Commercial Link - 3 years of Service.
<b>POH</b>	<b>GM COMMERCIAL LINK - 2 YEARS OF SERVICE.</b> Includes 24 months of GM Commercial Link service. Provides access and reporting for key vehicle information such as speed, location and maintenance through website and mobile application. Eligible customers must sign up for an account at <a href="http://www.gmcommerciallink.com">www.gmcommerciallink.com</a> in order take advantage of this 24 month offer. The Commercial Link service is included in the price of the vehicle. Total service duration is 24 months. Non-Transferrable. Non-Refundable. Requires (UE1) OnStar. Requires one of the following: Fleet or Government order types: FLS, FNR, FRC, FBC, FGO or FEF. Not available with (POG) GM Commercial Link - 1 year of Service or (POI) GM Commercial Link - 3 years of Service.
<b>POI</b>	<b>GM COMMERCIAL LINK - 3 YEARS OF SERVICE,</b> includes 36 months of GM Commercial Link service. Provides access and reporting for key vehicle information such as speed, location and maintenance through website and mobile application. Eligible customers must sign up for an account at <a href="http://www.gmcommerciallink.com">www.gmcommerciallink.com</a> in order take advantage of this 36 month offer. The Commercial Link service is included in the price of the vehicle. Total service duration is 36 months. Non-Transferrable. Non-Refundable. Requires (UE1) OnStar. Requires one of the following: Fleet or Government order types: FLS, FNR, FRC, FBC, FGO or FEF. Not available with (POG) GM Commercial Link - 1 year of Service or (POH) GM Commercial Link - 2 years of Service.

1. Services subject to user terms and limitations. Certain services require working electrical system, cell reception and GPS signal. OnStar links to emergency services. Data plans offered by AT&T. See [gmfleet.com/connected](http://gmfleet.com/connected) services for details. Availability subject to change

**POWERTRAIN**

ENGINE				TRANSMISSION		AXLE	
OPTION CODE	TYPE	DISPLACEMENT LITERS/CU. IN.	FUEL SYSTEM	OPTION CODE	TYPE	OPTION CODE	RATIO
L82	V8	5.3/325	Direct Injection with Active Fuel Management	MYC	6-speed auto. with OD	GU6	3.42

**EMISSIONS - MUST BE SPECIFIED**

<b>FE9</b>	<b>Emissions</b> , Federal requirements
<b>NE1</b>	<b>Emissions</b> , Connecticut, Delaware, Maine, Maryland, Massachusetts, New Jersey, New York, Oregon, Pennsylvania, Rhode Island, Vermont and Washington state requirements
<b>NB8</b>	<b>Emissions override</b> , California (allows a dealer in states that require California emissions - California, Connecticut, Delaware, Maryland, Massachusetts, New Jersey, New York, Oregon, Pennsylvania, Rhode Island or Washington - to order Federal emissions for a vehicle that will be registered in a state that has Federal emission requirements). Do not use for vehicles that will be registered in California, Connecticut, Delaware, Maryland, Massachusetts, New Jersey, New York, Oregon, Pennsylvania, Rhode Island or Washington. Requires (FE9) Federal emissions requirements. Not available in Maine or Vermont.
<b>NB9</b>	<b>Emissions override</b> , state-specific (for dealers ordering vehicles in (YF5) or (NE1) emission states - California, Connecticut, Delaware, Maine, Maryland, Massachusetts, New Jersey, New York, Oregon, Pennsylvania, Rhode Island, Vermont and Washington). Allows a California dealer (YF5 emissions) to order (NE1) emissions with (NB9) emissions override code for registration in (NE1) states; or, a Connecticut, Delaware, Maine, Maryland, Massachusetts, New Jersey, New York, Oregon, Pennsylvania, Rhode Island, Vermont and Washington dealer (NE1 emissions) to order (YF5) emissions with (NB9) emissions override code for registration in California.
<b>NC7</b>	<b>Emissions override</b> , Federal (for vehicles ordered by dealers in Federal emission states with (YF5) or (NE1) emissions - Not required for vehicles being shipped to California, Connecticut, Delaware, Maine, Maryland, Massachusetts, New Jersey, New York, Oregon, Pennsylvania, Rhode Island, Vermont or Washington). Requires (YF5) California state emissions requirements or (NE1) Connecticut, Delaware, Maine, Maryland, Massachusetts, New Jersey, New York, Oregon, Pennsylvania, Rhode Island, Vermont or Washington state emissions requirements.
<b>YF5</b>	<b>Emissions</b> , California state requirements

**SPEEDOMETER CERTIFICATION CALIBRATION**

Specifications at ambient temperature of -10 to 120 degrees F (-23 to 49 Celsius). Inaccuracies due to vehicle speed sensing are included.

ACTUAL VEHICLE SPEED

0 TO 120 MPH

0 TO 193 KPH

INDICATED SPEED

+/- 2 MPH

+/- 3 KPH

The speedometer calibration is for the 2020 Silverado 5W4 Special Service with the 5.3L engine, automatic transmission with a 3.42 axle and 255/70R17 tires

## SPECIFICATIONS

Specifications shown are for Police and Special Service Vehicles only which differ from retail civilian models

<b>GENERAL</b>					<b>PASSENGER COMPARTMENT</b>				
Model	CC10543	CK10543	CC10743	CK10743	<b>VOLUME INDEX (cu.ft./liters)</b>				
Drive	2WD Short Box	4WD Short Box	2WD STD Box	4WD STD Box	Interior passenger	138.6	138.6	138.6	138.6
Cab Style	Crew Cab	Crew Cab	Crew Cab	Crew Cab	<b>EPA-ESTIMATED MPG FUEL ECONOMY RATINGS</b>				
Seating capacity (F/R)	3/3	3/3	3/3	3/3	Model	2WD	4WD	2WD	4WD
NOTE: For projected top speed see PROJECTED TOP SPEED WITH STANDARD AND OPTIONAL TIRES Chart					(City/Highway/Combined)	Short Box	Short Box	Std. Box	Std. Box
					5.3L engine	15/21/17	15/20/17	15/21/17	15/20/17
<b>EXTERIOR (in./mm)</b>									
Wheelbase	147.4/3745	147.4/3745	156.9/3886	156.9/3886	1. Cargo and load capacity limited by weight and distribution.				
Overall length	231.7/5885	231.7/5885	241.2/6126	241.2/6126	2. Gross Vehicle Weight Rating (GVWR). When properly equipped, includes vehicle, passengers, cargo and equipment.				
Body width (without mirrors)	81.2/2063	81.2/2063	81.2/2063	81.2/2063	3. These maximum payload ratings are intended for comparison purposes only. Before you buy a vehicle or use it to haul people or cargo, carefully review the vehicle loading section of the Owner's Manual and check the carrying capacity of your specific vehicle on the label on the inside of the driver's door jamb.				
Overall height*	75.5/1918	75.5/1918	75.5/1918	75.5/1918					
Front bumper to back of cab	150.9/3833	150.9/3833	150.9/3833	150.9/3833					
Inside length of box at floor	69.9/1776	69.9/1776	79.4/2018	79.4/2018					
Inside height, bed	22.4/569	22.4/569	22.4/569	22.4/569					
Inside bed width	71.4/1814	71.4/1814	71.4/1814	71.4/1814					
Inside width, between Wheelhousing, Fleetside	50.6/1286	50.6/1286	50.6/1286	50.6/1286					
Turning diameter, curb-to-curb, ft. (m)	46.3/14.1	46.3/14.1	49.5/15.1	49.5/14.1					
Ground clearance*	7.9/200	8.1/205	7.8/197	8.0/202					
*Published dimensions indicated are at Base Curb Weight.									
<b>FRONT COMPARTMENT (in./mm)</b>									
Head room	43.0/1093	43.0/1093	43.0/1093	43.0/1093					
Shoulder room	66.0/1677	66.0/1677	66.0/1677	66.0/1677					
Hip room	61.2/1554	61.2/1554	61.2/1554	61.2/1554					
Leg room	44.5/1131	44.5/1131	44.5/1131	44.5/1131					
<b>REAR COMPARTMENT (in./mm)</b>									
Head room	40.1/1019	40.1/1019	40.1/1019	40.1/1019					
Shoulder room	65.2/1655	65.2/1655	65.2/1655	65.2/1655					
Hip room	60.2/1530	60.2/1530	60.2/1530	60.2 /1530					
Leg room	43.4/1102	43.4/1102	43.8/1113	43.8/1113					
*NOTE: Published dimensions indicated are without optional equipment or accessories. Additional accessories or equipment ordered at the customer's request can result in a minor change in these dimensions									
<b>CARGO</b>									
Cargo volume <sup>1</sup> , cargo box, cu. ft./liters	62.9/1781.3	62.9/1781.3	71.7/2030.5	71.7/2030.5					
<b>VEHICLE WEIGHT (lbs./kg.)</b>									
GVWR <sup>2</sup> Gross Vehicle Weight Rating	6800/3084	7000/3175	6800/3084	7000/3175					
FGAWR Front Gross Axle Weight Rating	3700/1678	3800/1724	3700/1678	3800/1724					
RGAWR Rear Gross Axle Weight Rating	3800/1724	3800/1724	3800/1724	3800/1724					
Payload <sup>3</sup>	2060/934	2050/930	1990/903	2000/907					
Base curb weight	4702/2133	4915/2229	4772/2165	4965/2252					
For Max. Trailer Towing see Standard Tires page									

**NOTE: See Vehicle Load Limits in your Owner's Manual for loading information.**

**SPECIFICATIONS**

Specifications shown are for Police and Special Service Vehicles only which differ from retail civilian models

**ENGINE**

	<b>STANDARD</b>
Type	EcoTec3 V8
Displacement: liters/cu. in.	5.3/325
Horsepower/rpm	355 @ 5600
Torque lb.-ft./rpm	383 @ 4100
Induction system	Direct Injection
Compression ratio	11.0:1
Exhaust	Single
Minimum recommended fuel octane	87
Fuel capacity, approximate, gallon/liters	24/91
Oil with filter (quarts/liters)	8.5/8
Cooling capacity (quarts/liters)	17.4/16.5

**TRANSMISSION**

Automatic electronic with overdrive	6-Speed
Fluid pan removed and filter replaced (quarts/liters)	6.0/5.7

**AXLE**

Ratio	3.42
-------	------

**BRAKES**

ABS with vacuum-boost	Disc/Disc
Front-swept area (sq. in./sq. cm)	257.4/1660.8
Rear-swept area (sq. in./sq. cm)	263.7/1701.6
Total front and rear swept area (sq. in./sq. cm)	521.2/3362.3
Front rotor diameter (in./mm)	13.5/343
Rear rotor diameter (in./mm)	13.6/345
Front rotor thickness (in./mm)	1.2/30
Rear rotor thickness (in./mm)	.8/20

**TIRES**

Type	All Season, Blackwall
Size	255/70R17

**WHEELS**

Type	Painted Steel
Size	17"x 8"

**CHASSIS**

Frame	Full perimeter steel
Front suspension	Coil over shock with 35mm twin tube shocks
Rear suspension	2-stage multi-leaf springs, semi-elliptic
Steering type	Rack and Pinion

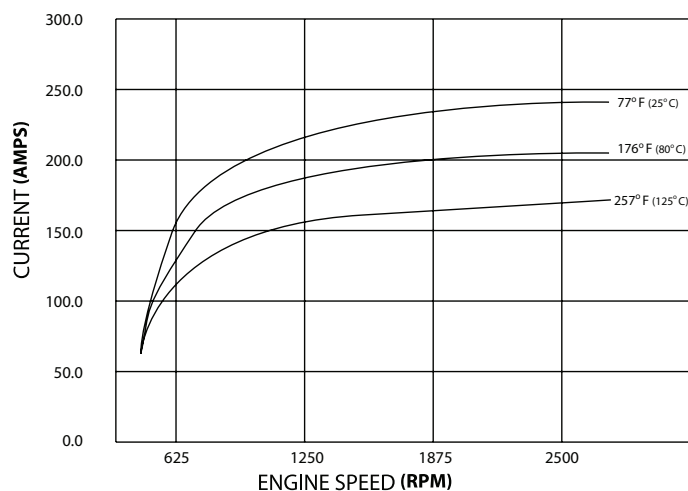
**BATTERY**

Type	Maintenance free
BCI group size	LN3
Volts	12
Amp hour rating	70
Cold cranking-amps @ 0°F (-18°C)	730

**ALTERNATOR**

Type	MELCO GX9
Amps	77°F (25°C) 220

**SILVERADO SSV ALTERNATOR OUTPUT**



<b>BOOST LEVEL</b>	<b>PARK/NEUTRAL</b>	<b>DRIVE</b>
Normal Idle	550	500
1	800	650
2	800	725
3	1000	800



# 2020 SILVERADO 1500 SPECIAL SERVICE 5W4 CREW CAB

## STANDARD TIRES - SPEED RATED

MANUFACTURER	QUANTITY	SIZE	SPEED RATING	TYPE
Multiple	5	255/70R17	S	All-season, BW

## PROJECTED TOP SPEED WITH STANDARD AND OPTIONAL TIRES

NOTE. Adding accessories or making modifications to the vehicle can affect vehicle performance, aerodynamics, and overall top speed.

CODE	Tire Size	Vehicle Description	3.42 Ratio
QBN	255/70R17 (Standard)	2WD Short Box	112 mph
QDV	265/70R17 (Optional)	2WD Short Box	112 mph
RC5	LT265/70R17C (Optional)	2WD Short Box	99 mph
R30	LT275/65R18C MT DuraTrac (Optional)	2WD Short Box	99 mph
QBN	225/70R17 (Standard)	2WD Long Box	112 mph
QDV	265/70R17 (Optional)	2WD Long Box	112 mph
RC5	LT265/70R17C (Optional)	2WD Long Box	99 mph
R30	LT275/65R18C MT DuraTrac (Optional)	2WD Long Box	99 mph
QBN	225/70R17 (Standard)	4WD Short Box	112 mph
QDV	265/70R17 (Optional)	4WD Short Box	112 mph
RC5	LT265/70R17C (Optional)	4WD Short Box	99 mph
R30	LT275/65R18C MT DuraTrac (Optional)	4WD Short Box	99 mph
QBN	225/70R17 (Standard)	4WD Long Box	112 mph
QDV	265/70R17 (Optional)	4WD Long Box	112 mph
RC5	LT265/70R17C (Optional)	4WD Long Box	99 mph
R30	LT275/65R18C MT DuraTrac (Optional)	4WD Long Box	99 mph

## TRAILERING SPECIFICATIONS - Automatic Transmission Ratings with Ball Hitch (L82) 5.3L EcoTec3 V8 AFM DI VVT aluminum block

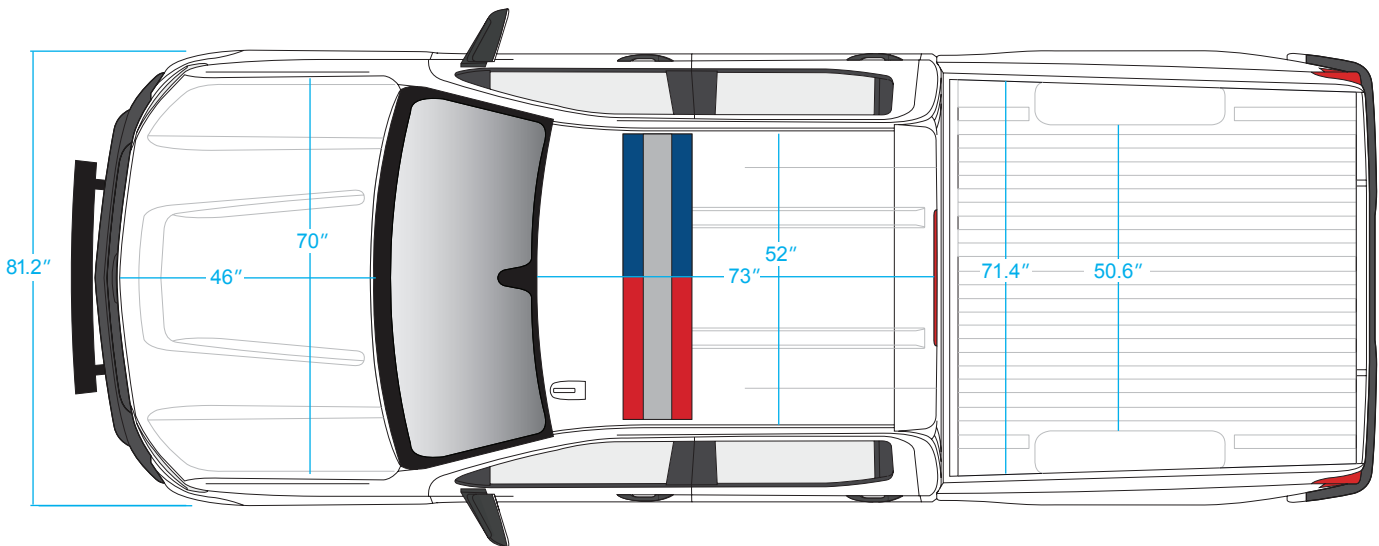
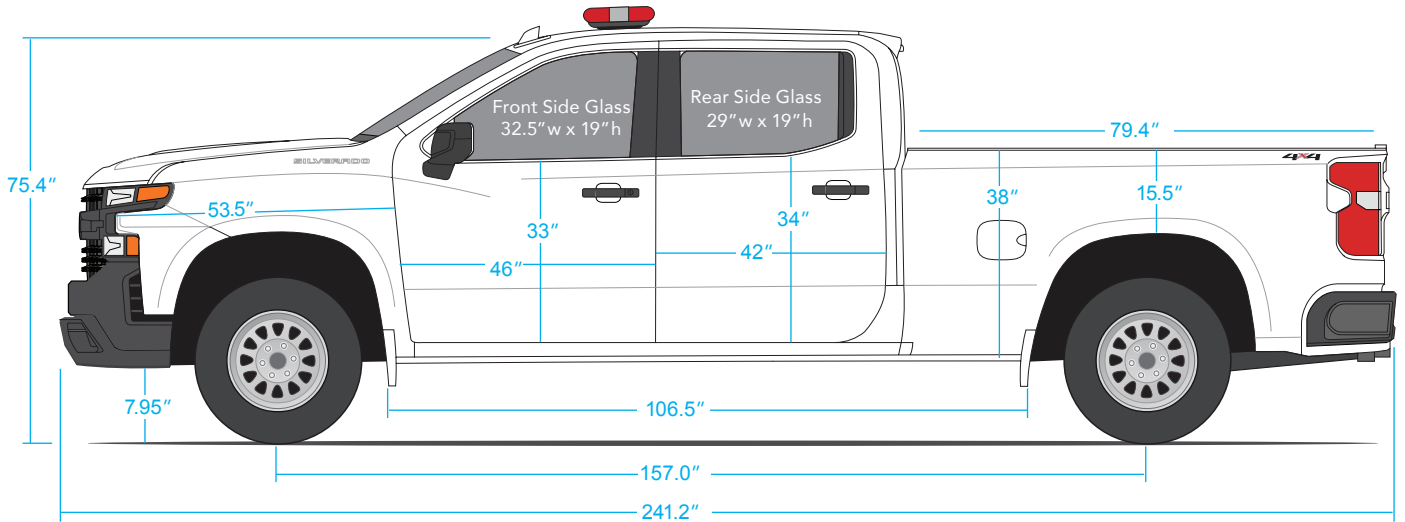
MODEL	AXLE RATIO	MAXIMUM TRAILERING CAPACITY LBS. (KG)
CC10543	3.42	9800 (4445)
CK10543	3.42	9500 (4309)
CC10743	3.42	9700 (4400)
CK10743	3.42	9500 (4309)

Before you buy a vehicle or use it for trailering, carefully review the Trailering section of the Owner's Manual. The weight of passengers, cargo and options or accessories may reduce the amount you can tow

## GCWR For Engine/Rear Axle Ratio Combination - Automatic Transmission

ENGINE	AXLE RATIO	(GCWR) GROSS COMBINATION WEIGHT RATINGS LBS. (KG)
(L82) 5.3L EcoTec3	3.42	15000 (6804)

DIMENSIONS SSV STANDARD BOX

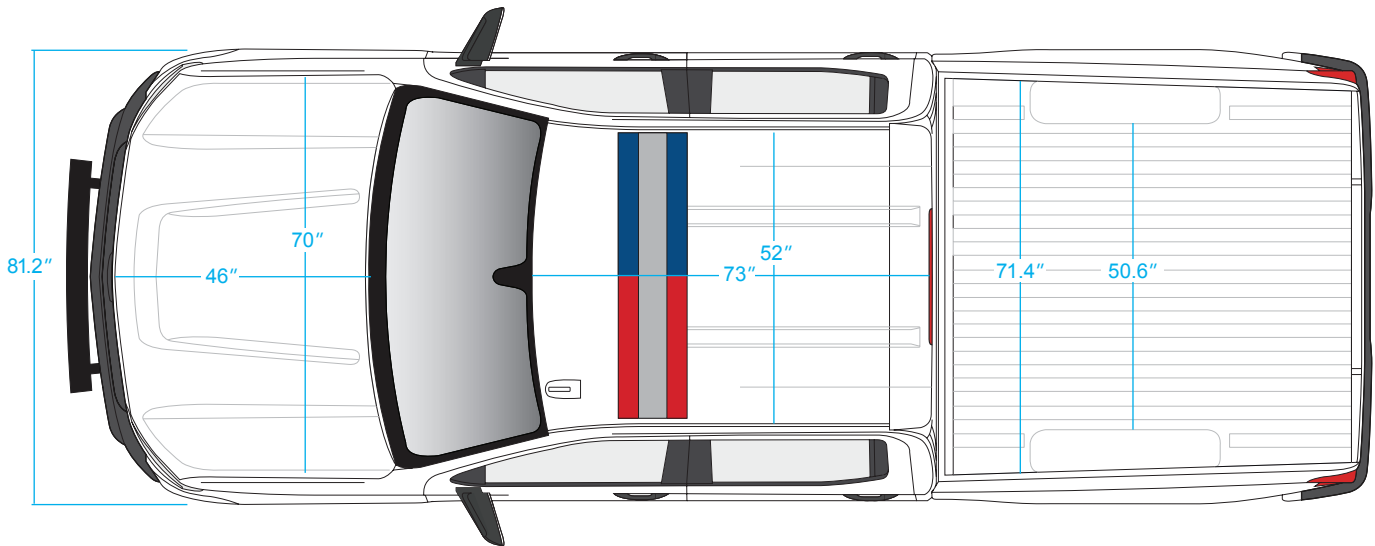
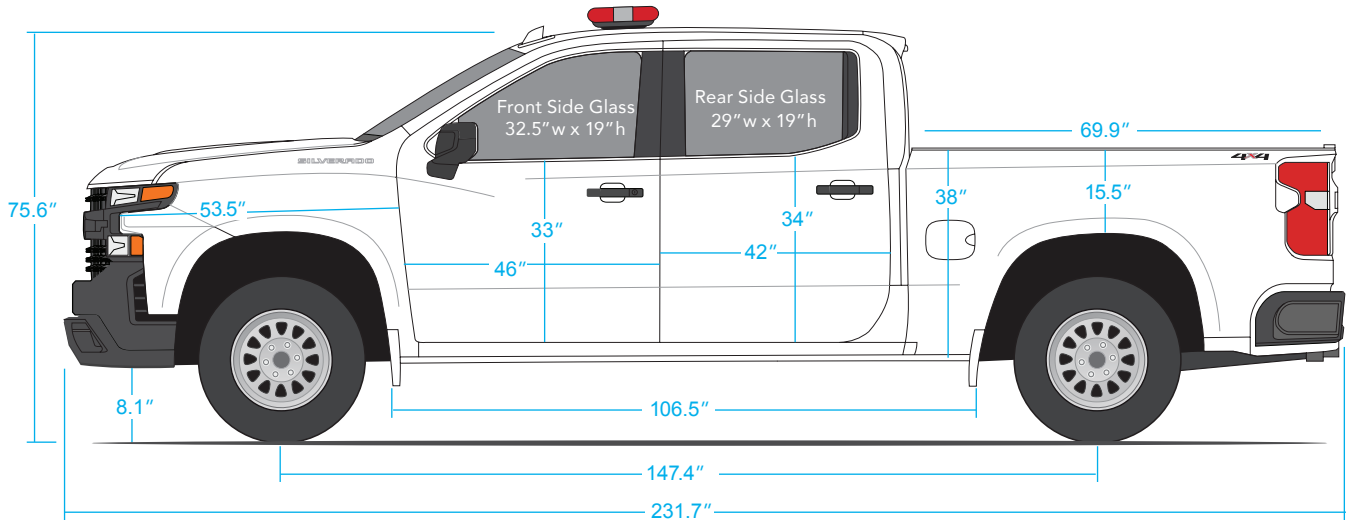


Estimated material sizes to wrap:

- Hood – 72" x 50"
- Front Doors – 50" x 36"
- Rear Doors – 45" x 37"
- Roof – 75" x 54"
- Tailgate – 69" x 26"



**DIMENSIONS SSV SHORT BOX**



**Estimated material sizes to wrap:**

- Hood – 72" x 50"
- Front Doors – 50" x 36"
- Rear Doors – 45" x 37"
- Roof – 75" x 54"
- Tailgate – 69" x 26"



## STANDARD WHEELS




## OPTIONAL WHEELS WITH DEALER INSTALLED 2" LIFT



# BODY, CAGE, UNDERBODY AND FRAME MATERIAL

### BODY

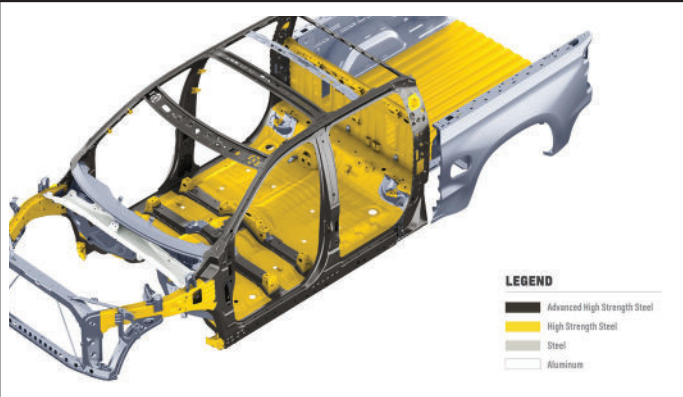


**LEGEND**

- Advanced High Strength Steel
- High Strength Steel
- Steel
- Aluminum

2020 Chevrolet Silverado features fixed steel body components and aluminum swing panels (doors, hood, tailgate).

### CAGE

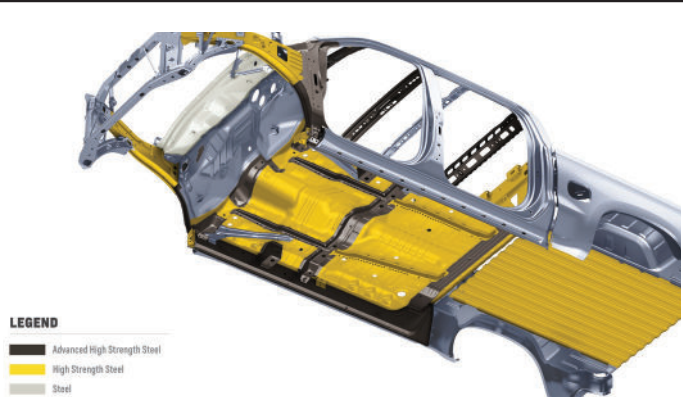


**LEGEND**

- Advanced High Strength Steel
- High Strength Steel
- Steel
- Aluminum

Underlying safety cage features significant use of advanced high strength steels, each tailored for the specific application.

### UNDERBODY

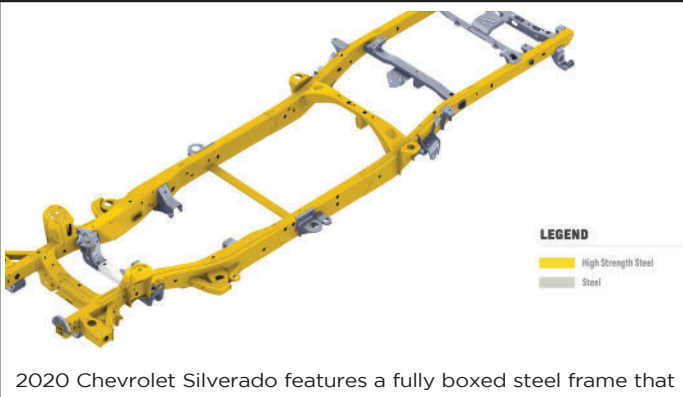


**LEGEND**

- Advanced High Strength Steel
- High Strength Steel
- Steel
- Aluminum

Extensive use of mixed materials.

### FRAME



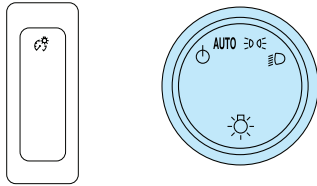
**LEGEND**

- High Strength Steel
- Steel

2020 Chevrolet Silverado features a fully boxed steel frame that is 88 pounds lighter than 2018 model, while offering 10 percent greater torsional rigidity. Eighty percent of the frame is made of high-strength steel varying from 2 to 5 millimeters in thickness, and every millimeter is optimized for performance using a variety of processes, including hydroforming, roll forming, conventional stamping and tailor-rolled blanking.

# STANDARD EQUIPMENT

## SURVEILLANCE FEATURE 5J3 MANUAL LAMP CONTROL 9G8



The headlamp control on the driver's side of the instrument panel operates the exterior lamps. If your Silverado does not have option 9G8, DELETE DAYTIME RUNNING LAMPS and AUTOMATIC HEADLAMPS, the Daytime Running Lamps and Automatic Headlamps can be turned OFF for one ignition cycle by rotating the headlamp control knob momentarily counter-clockwise. See your Silverado Owner's Manual.

Surveillance Feature: The Body Control Module (BCM) is calibrated to provide disabling of the exterior and interior automatic lighting. The BCM is located under the instrument panel to the left side of the steering column.

The Surveillance Feature can be activated by installing a terminated wire in cavity 21 of the Pink colored BCM connector X6. When a customer-provided terminated wire, e.g., GM #13582297, is installed in X6-21 and the wire is connected to vehicle ground via a customer switch, automatically controlled lighting is disabled or dimmed to Federally regulated level. BCM connector X6 is shown below.

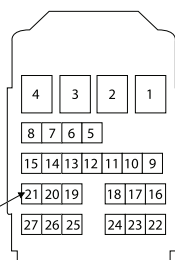
Option SEO 9G8 - Delete Daytime Running Lamps and Automatic Headlamps. This option disables the Daytime Running Lamps and Automatic Headlamps control feature. Exterior lamps are only manually controlled (Option 9G8 is not available in Canada).

When the headlamp switch is in Auto with 9G8 installed, the instrument cluster, radio display and air conditioning illumination remains at daytime intensity and are dimmable only when the headlamp switch is rotated to the Parking Lamps or Headlamps positions. If SEO 9G8 is not installed, the displays are dimmable with the Headlamp switch in the AUTO position. The instrument cluster, radio and AC displays will dim if the Surveillance Feature is activated as described above.

Interior courtesy lamps, including dome lamps, can be turned OFF with a three-position switch located in the front overhead console. The interior lamp control positions are: OFF - DOOR - ON

When the switch is in the OFF position, all interior lighting remains off whenever the doors are opened.

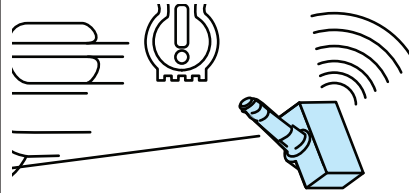
NOTE: Wiring connection or splice changes are to be removed before the vehicle is returned to civilian use.



CONNECTOR VIEWED FROM TERMINAL END

BCM Connector X6, Cavity 21

## TIRE PRESSURE MONITOR WITH TIRE FILL ALERT



The Silverado 1500 Special Service Vehicle (SSV) 5W4 Crew Cab Package is equipped with a Tire Pressure Monitor System (TPMS) warns of low tire pressure. The Silverado SSV has an optional full size spare tire (00A) which includes a spare tire pressure sensor. When the optional spare tire from your vehicle or another SSV is placed in use as a road wheel, the TPMS will not read the presence of the new TPM sensor and must be calibrated. Refer to your owner's manual for additional information about calibration of the TPMS. See also the Tire Fill Alert feature.

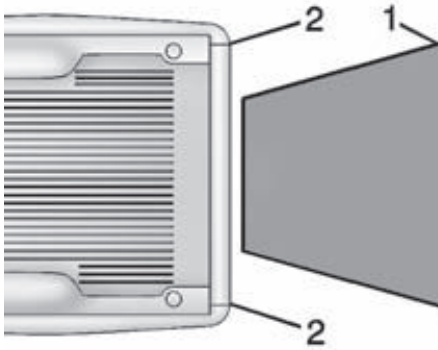
## SERVICE PARTS IDENTIFICATION LABEL



A Service Parts Identification (SPID) Label provides Vehicle Identification Number (VIN)-specific Option Code content list, Engineering Model Number (Nameplate, body style), Exterior paint system, Exterior paint color code and Interior trim level and color.

# STANDARD EQUIPMENT

## REAR VISION CAMERA



1. View Displayed by the Camera in Radio Screen
2. Corners of the Rear Bumper

Displayed images may be farther or closer than they appear. The area displayed is limited and objects that are close to either corner of the bumper or under the bumper do not display.

When the vehicle is shifted into R (Reverse), the RVC displays an image of the area behind the vehicle in the center stack display. The previous screen displays when the vehicle is shifted out of R (Reverse) after a short delay. To return to the previous screen sooner, press a button on the infotainment system, shift into P (Park), or reach a vehicle speed of 8 km/h (5 mph).

NOTE: The Rear Vision Camera will not work properly if the tallgate is down. If the Tallgate is down, do not use the system.

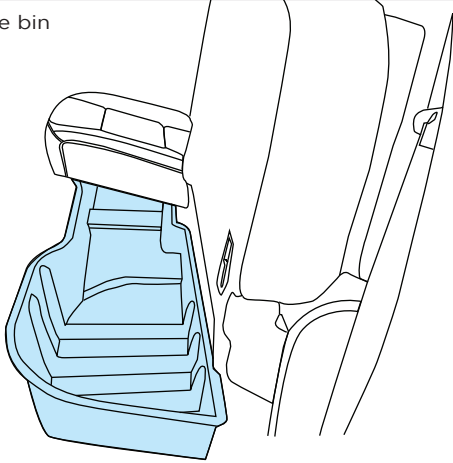
The camera(s) do not display children, pedestrians, bicyclists, crossing traffic, animals, or any other object outside of the cameras' field of view, below the bumper, or under the vehicle. Shown distances may be different from actual distances. Do not drive or park the vehicle using only these camera(s). Always check behind and around the vehicle before driving. Failure to use proper care may result in injury, death, or vehicle damage.

NOTE: Safety or driver assistance features are no substitute for the driver's responsibility to operate the vehicle in a safe manner. The driver should remain attentive to traffic surroundings and road conditions at all times. Visibility, weather and road conditions may affect feature performance. Read the Owner's Manual for more important limitations and information.

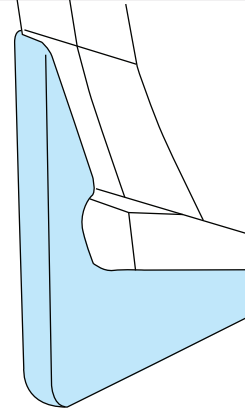
# OPTIONAL EQUIPMENT

## VBJ REAR UNDERSEAT STORAGE

Composite storage bin

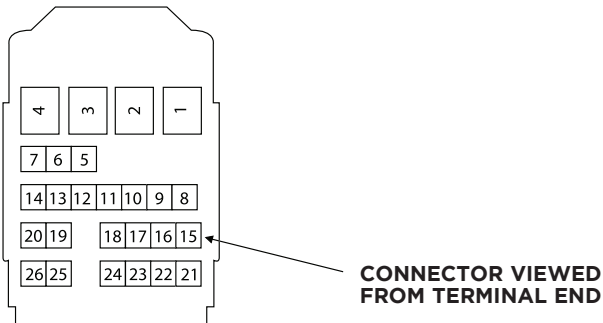


## VQK SPLASH GUARDS, MOLDED



Black finish

## 5J9 REAR LAMPS FLASHING

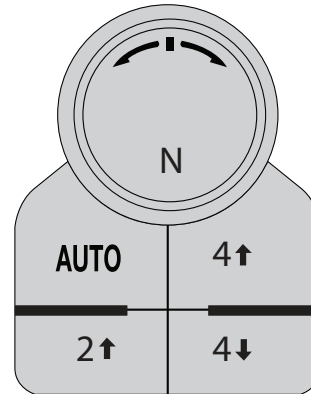


The Silverado Special Service Package has a Body Control Module (BCM) calibration which will flash the stop lamps and backup lamps to provide an alternating red - white light pattern to the rear of the vehicle. The rear lamps flashing mode is interrupted when ever the service brakes are applied.

The rear lamps flashing is activated by a customer-provided switched ground connected at the natural colored BCM connector XI, cavity 15. The rear lamps flashing feature can be operated separately or when connected to a headlamps flashing module.

NOTE: Wiring connection or splice changes are to be removed before the vehicle is returned to civilian use.

## NQH AUTOMATIC TRANSFER CASE



Active, 2-speed electronic Autotrac with rotary controls, includes neutral position for dingy towing. Use the transfer case knob next to the steering wheel to shift into and out of four-wheel drive.

## Q5U WHEELS



17 x 8 Bright Silver painted aluminum



## OPTIONAL EQUIPMENT

RW9

### BEDSIDE STORAGE BOXES (LATE AVAILABILITY)



Boxes are located on the left and/or right side.

## OPTIONAL DEALER ACCESSORIES

GM PART  
19417361

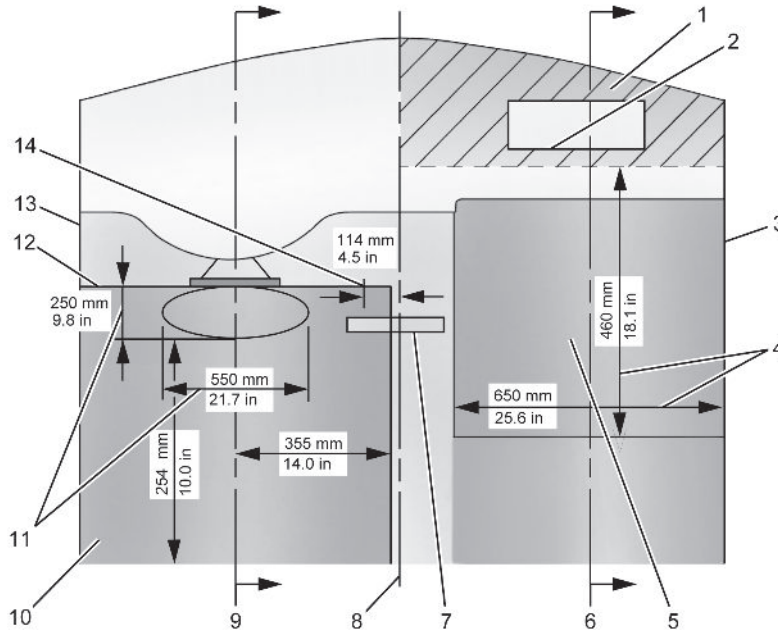
### REAR UNDER SEAT COMBINATION LOCK BOX



3,700 cubic inches of storage, 16-gauge steel construction, 3-digit combination with custom hook-cam. Marine-grade carpet lining with weather and dust seal. Pin-lock hinge design, no drilling required for installation.

# AIRBAGS

## INSTRUMENT PANEL TOP VIEW - APPROXIMATE FRONTAL AIRBAG DEPLOYMENT ZONES

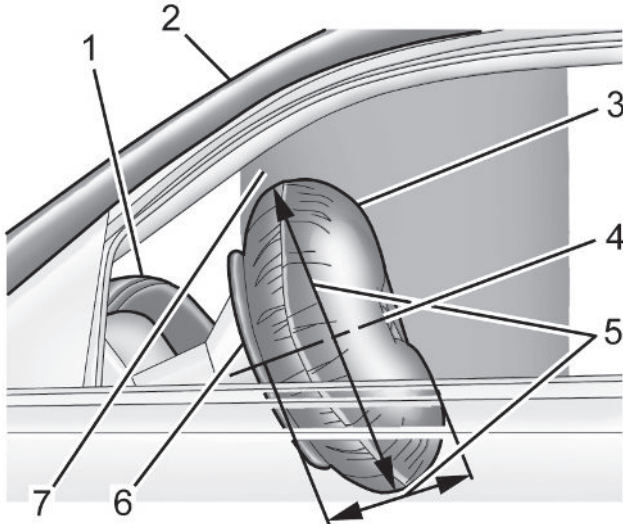


1. Passenger Side Instrument Panel Top Surface Zone
  2. Frontal Outboard Passenger Airbag Module Trim Panel - Rear Edge
  3. Passenger Side Door
  4. Approximate Dimensions of Inflated Airbag
  5. Frontal Outboard Passenger Airbag Deployment Zone
  6. Passenger Centerline
  7. Inside Rearview Mirror
  8. Vehicle Centerline
  9. Driver Centerline
  10. Driver Airbag Deployment Zone
  11. Driver Inflated Airbag Dimensions
  12. Front of Steering Wheel (See also "Side View of Driver Frontal Airbag Deployment Zone" Following)
  13. Driver Side Door
  14. Shift Selector Arc
- See Customer-Installed Equipment.

Sitting too close to an airbag when it deploys can increase the risk of serious injury or death. Always properly wear your seat belt. See Owner's Manual for more information.

# AIRBAGS

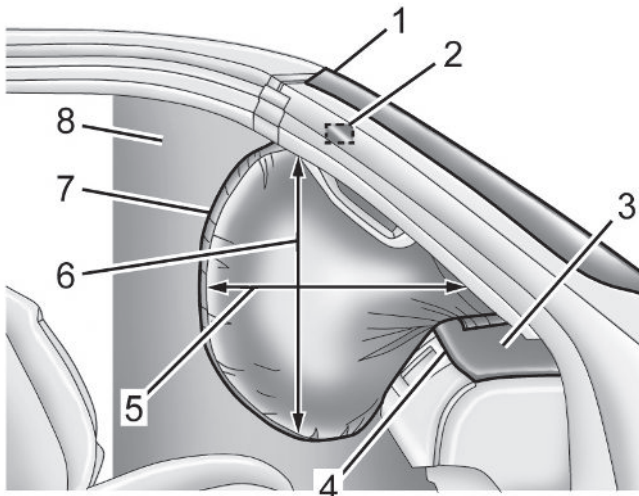
## SIDE VIEW OF DRIVER FRONTAL AIRBAG DEPLOYMENT ZONE



1. Top of Instrument Panel
2. Top Edge of Windshield
3. Inflated Airbag - Steering Wheel
4. Centerline of Steering Column at Mid-Tilt
5. Driver Inflated Airbag Dimensions (250 mm (9.8 in) From Front of Steering Wheel and 550 mm (21.7 in) Diameter From Center of Steering Wheel)
6. Front of Steering Wheel
7. Driver Airbag Deployment Zone Including Inflated Driver Airbag

See Customer-Installed Equipment.

## SIDE VIEW OF FRONTAL OUTBOARD PASSENGER AIRBAG DEPLOYMENT ZONE



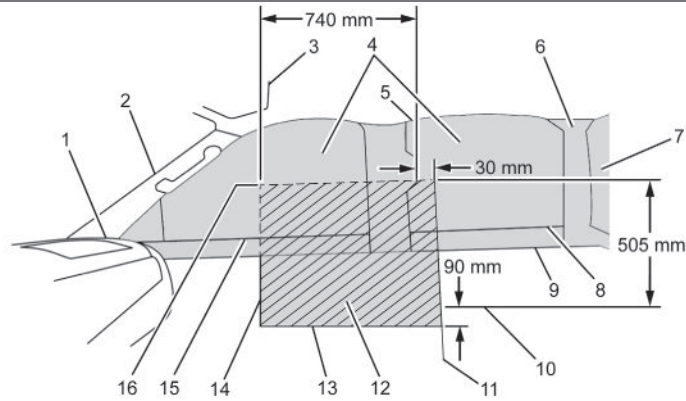
1. Top Edge of Windshield
2. Inside Rearview Mirror
3. Instrument Panel Top Surface Zone
4. Frontal Outboard Passenger Airbag Module Trim Panel - Rear Edge
5. Inflated Airbag - Horizontal Dimension (Approximately 460 mm (18.1 in))
6. Inflated Airbag - Vertical Dimension (from Top of Occupant's Lap to Headliner)
7. Inflated Airbag - Instrument Panel
8. Frontal Outboard Passenger Airbag Deployment Zone

See Customer-Installed Equipment.

Sitting too close to an airbag when it deploys can increase the risk of serious injury or death. Always properly wear your seat belt. See Owner's Manual for more information.

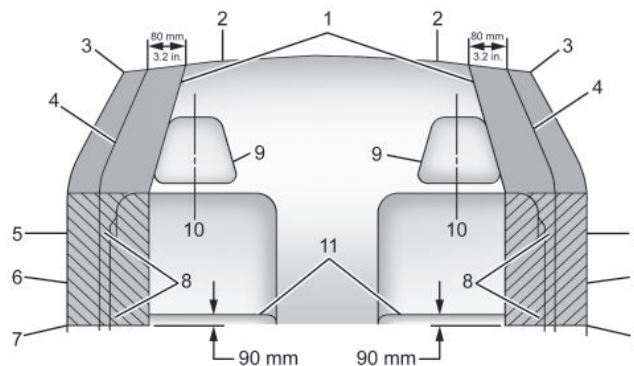
# AIRBAGS

## ROOF-RAIL MOUNTED HEAD-CURTAIN AIRBAG DEPLOYMENT ZONES - PASSENGER SIDE SHOWN, DRIVER SIDE SIMILAR



- |  |   |
|--|---|
| <ol style="list-style-type: none"> <li>1. Front of Deployment Zone at Bottom of Windshield Pillar Trim</li> <li>2. A-Pillar Trim with Grab Handle (Passenger Side)</li> <li>3. Sun Visor</li> <li>4. Roof rail mounted head-curtain Airbag Deployment Zone - Seat Rows 1 and 2 and Cargo Area</li> <li>5. Top of Roof rail mounted head-curtain Airbag Deployment Zone - Along Roof-rail at Edge of Headliner</li> <li>6. C-Pillar Upper Trim</li> <li>7. Rear Window</li> <li>8. Top Edge of Rear Door Trim</li> <li>9. Bottom Edge of Roof rail mounted head-curtain Airbag Deployment Zone at Top of Side Door Armrests</li> <li>10. Top Surface of Front Seat Cushion (with Seat Fully Lowered)</li> </ol> | <ol style="list-style-type: none"> <li>11. Rear Edge of Seat-Mounted Side Impact Airbag Deployment Zone (30 mm (1.2 in)) Rearward of Back Edge of B-Pillar Trim Grab Handle)</li> <li>12. Seat-Mounted Side Impact Airbag Deployment Zone</li> <li>13. Bottom Edge of the Seat-Mounted Side Impact Airbag Zone (90 mm (3.5 in)) Below Top of Seat Cushion with the Seat Fully Lowered</li> <li>14. Front Edge of Seat Mounted Side Impact Deployment Zone (740 mm (29.1 in)) Forward of Back Edge of B-Pillar Trim Grab Handle</li> <li>15. Top Edge of Front Door Trim</li> <li>16. Top Edge of Seat-Mounted Side Impact Deployment Zone (505 mm (19.9 in)) Above Top Surface of Seat Cushion with the Seat Fully Lowered</li> </ol> |
|--|---|

## ROOF RAIL MOUNTED HEAD CURTAIN AIRBAG - DRIVER AND OUTBOARD FRONT PASSENGER DEPLOYMENT ZONES - VIEW FROM REAR OF VEHICLE



- |   |  |
|---|--|
| <ol style="list-style-type: none"> <li>1. Roof-Rail Mounted Head-Curtain Airbag Deployment Zone</li> <li>2. Underside of Headliner</li> <li>3. Edge of Headliner</li> <li>4. Inner Center and Rear Pillar Trim</li> <li>5. Inner Front and Rear Door</li> <li>6. Side Door Upper Armrests and Rear Quarter Trim Armrests</li> </ol> | <ol style="list-style-type: none"> <li>7. Bottom Edge of Seat-Mounted Side Impact Airbag Deployment Zone (90 mm (3.3 in)) Below Top Surface of Outboard Front Seat Cushion with Seat Fully Lowered</li> <li>8. Seat-Mounted Side Impact Deployment Zone</li> <li>9. Front Seat Head Restraint</li> <li>10. Seat Centerline</li> <li>11. Top of Seat Cushion</li> </ol> |
|---|--|

Sitting too close to an airbag when it deploys can increase the risk of serious injury or death. Always properly wear your seat belt. See Owner's Manual for more information.

# AIRBAGS FAQ

**Q: Can equipment such as radar devices, video cameras, and radio trees be mounted in a specialty vehicle equipped with a right front passenger frontal airbag?**

A: Yes, but care must be taken to properly mount the equipment outside of the airbag "deployment zone."

**Q: What is the airbag "deployment zone"?**

A: The term "deployment zone" describes the space an airbag takes up when fully inflated. Airbags need room to work properly, and anything in the "deployment zone" - such as improperly mounted equipment - can greatly affect the performance of the airbag.

**Q: How can I identify the airbag "deployment zone" in my vehicle?**

A: See Airbag Deployment Diagrams for more information. The diagrams provide the approximate dimensions of the "deployment zones" for your specialty vehicle. Before doing any service work, including the installation of any equipment, consult the appropriate service manual.

**Q: Is it possible to shield equipment so it does not interfere with airbag deployment?**

A: While shielding may protect certain equipment from being damaged or dislodged, it may also negatively affect how an airbag inflates. Therefore, we cannot recommend the placement of any equipment in the deployment zone, even when shielding.

**Q: Can the installation of push bumpers on the front end of the vehicle affect the deployment of the airbag?**

A: It is not likely that installing push bumpers will affect sensing for the airbag as long as the vehicle structure itself is not modified. GM is not aware of any adverse defects from the many push bumpers that have been installed on current model GM police vehicles with airbags.

See "Adding Equipment to the Airbag-Equipped Vehicle" in the owner manual for more information.

**Customer-Installed Equipment**

Before installing equipment, read the following.

Airbags inflate with great force, faster than the blink of an eye. No objects, such as shotguns, should be placed over or near the airbag covers. Equipment mounted too close to an inflating airbag could prevent the airbag from operating properly to protect the occupants or could be forced into an occupant or break and become a dangerous projectile, causing severe injury or even death. To help prevent injury and to allow the airbag to perform as it was designed, do not mount equipment inside the airbag deployment zones.

Do not install equipment in the inflation path of any airbag. The equipment may interfere with the deployment of the airbag, may damage the airbag, or otherwise be damaged or forced into an occupant, all of which may cause severe injury or even death.

Do not attach anything to the steering wheel hub or mount any equipment within the deployment zone for the driver airbag.

Do not mount equipment on the passenger side of the instrument panel top pad deployment zone. Equipment should not be mounted on or around the passenger airbag opening because of a deploying airbag. To allow the airbag to perform as it was designed, do not mount equipment inside the airbag deployment zone.

Do not use seat accessories that block the inflation path of the driver or passenger seat-mounted side impact airbag or install equipment in the seat-mounted side impact airbag deployment zones.

Do not mount a security barrier such that the ends of the barrier or brackets are within the roof-rail airbag deployment zones.

Avoid installing wiring for roof-rail emergency lighting or radio antennas that may restrict the proper deployment of the roof-rail airbags.

Do not use seat accessories, console accessories, or other accessories that block the inflation path of the driver seat front center airbag (if equipped). Do not remove the front center console to install a police package center console, or otherwise install equipment or mount equipment between or just behind the front bucket seats on vehicles equipped with the driver seat front center airbag.

GM approved service procedures must be followed to remove and reinstall the instrument panel to the pad to ensure proper airbag deployment.

The police vehicle has a rollover sensor mounted on the centerline of the vehicle between the driver and front outboard passenger positions. If the vehicle has individual front seats, the rollover sensor will be exposed. Do not mount equipment within 25 mm (1 in) of the rollover sensor. This may affect the performance of multiple restraint systems.

Sitting too close to an airbag when it deploys can increase the risk of serious injury or death. Always properly wear your seatbelt. See Owner's Manual for more information.

# ELECTRONIC STABILITY CONTROL SYSTEMS (STABILITRAK)

**StabiliTrak systems help drivers maintain control of their vehicles, especially during emergency lane changes or avoidance maneuvers. StabiliTrak uses various sensors, such as steering wheel angle, wheel speed, yaw velocity, etc., to detect any difference between the path requested by the steering wheel position and vehicle's actual path. When appropriate, the system selectively controls brakes, engine power, and even suspension settings to enhance control of the vehicle's direction and help keep it on course.**

**Independent studies conducted by the National Highway Traffic Safety Administration, the Insurance Institute for Highway Safety, and others have found StabiliTrak to be highly reactive in reducing vehicle crashes. General Motors offers StabiliTrak systems on many of its passenger car and light truck models.**

*See your owner's manual for additional information about the operation of StabiliTrak.*

## **Q. How do I use StabiliTrak?**

### **A. StabiliTrak operates independently of the driver.**

You should continue to drive your StabiliTrak equipped vehicle with caution and care. GM's StabiliTrak system, StabiliTrak is designed to be as seamless as possible in operation, and part of the overall vehicle response to make a good vehicle better in operation and part of the overall vehicle response.

## **Q. How does StabiliTrak work?**

**A. StabiliTrak has the ability to apply control forces to the vehicle independent of the driver.** StabiliTrak uses sensors to continuously compare the path indicated by the steering wheel position to the vehicle's actual path. If a discrepancy is detected, StabiliTrak selectively controls vehicle brakes and engine torque to create a yaw moment that helps restore the vehicle's actual path to the path indicated by the steering wheel position. StabiliTrak has the ability to help correct both understeer (where the vehicle is not turning as much as the steering wheel position indicates) and oversteer (where the vehicle is turning more than the steering wheel position indicates).

## **Q. Will a tire change affect StabiliTrak?**

**A. Use of tires other than original equipment may affect StabiliTrak performance.** StabiliTrak is designed to make the best use of available traction. The performance characteristics of the original equipment tires are part of the overall system effectiveness. When you replace tires check the recommendations in your owner's manual. On GM vehicles, the original equipment tires have a "TPC" (Tire Performance Criteria) code on the sidewall. Replacing the tires with the same "TPC" code will help assure proper StabiliTrak performance.

# DRIVER OPERATED TRACTION CONTROL BUTTON

**An advanced computer controlled stability** enhancement system assists the driver with directional control of the vehicle in difficult driving conditions. Each time the vehicle is started, the StabiliTrak system is fully on. StabiliTrak can be controlled by a Traction Control Button. The condition system is displayed by a StabiliTrak indicator light and Driver Information

Center (DIC) Message. Push once to disable Traction Control. Push and hold to disable both Traction Control and StabiliTrak. In this condition, StabiliTrak will automatically turn ON when the vehicle speed exceeds 35 mph (56km/hr) while the Traction Control remains OFF. Push again to enable Traction Control and StabiliTrak.

## MAINTENANCE / LIMITED WARRANTY

INCLUDED MAINTENANCE	One visit within first year of vehicle delivery <sup>1</sup>
BUMPER-TO-BUMPER LIMITED WARRANTY	3 years,/36,000 miles <sup>2</sup> . Bumper-to-Bumper Limited Warranty with no deductible
TRANSFERABLE POWERTRAIN LIMITED WARRANTY	Qualified Fleet Customers: 5 years/100,000 miles <sup>3</sup>
TIRES <sup>4</sup>	3 years/36,000 miles <sup>2</sup> ; coverage prorated after first 12,000 miles
ROADSIDE ASSISTANCE AND COURTESY TRANSPORTATION <sup>5</sup>	Qualified Fleet Customers: 5 years/100,000 miles <sup>3</sup>
RUST-THROUGH	6 years/100,000 miles <sup>2</sup>
CORROSION	3 years/36,000 miles <sup>2</sup>
WHEEL ALIGNMENT AND BALANCE	Up to 7,500 miles <sup>6</sup>

1. Includes first required maintenance visit as stated in vehicle maintenance schedule. Maintenance visit consists of oil change, tire rotation and Multi-Point Vehicle Inspection. Does not include air filters. See participating dealer for other restrictions and complete details. Excludes vehicles ordered with fleet delete option RY9.
2. Whichever comes first. See dealer for limited warranty details.
3. Whichever comes first. A Qualified Fleet User is defined as a company that has purchased and registered or leased five (5) or more new cars/or trucks solely for use in its operation during the current or preceding calendar year, model year, preceding twelve (12) month period, or that owns or leases fifteen (15) or more cars and trucks. Excludes rental customers. See dealer for details.
4. Tires also covered under the Bumper-to-Bumper Warranty but are prorated based upon mileage. See dealer for warranty details.
5. If the vehicle has a warrantable failure, see your Owner's Manual for full details on the Courtesy Transportation program.
6. Customer maintenance item after 7,500 miles.



GM reserves the right to make changes at any time, without notice, in prices, colors, materials, equipment, specifications, models, and availability. Specifications, dimensions, measurements, ratings, and other numbers in this catalog and other printed materials provided at the dealership or affixed to vehicles are approximates based upon design and engineering drawings and prototypes and laboratory tests. Your vehicle may differ due to variations in manufacture and equipment. Since some information may have been updated since the time of printing, please check with your GM dealer for complete details. Some of the equipment shown or described throughout this publication may be available at extra cost, and/or is supplied by an independent supplier.

Copyright 2019 General Motors. All rights reserved. All text, images, graphics, and other materials in this publication are subject to the copyright and other intellectual property rights of General Motors. These materials may not be reproduced, distributed, or modified without the express written permission of General Motors. The marks appearing in this publication including, but not limited to: GM and the GM logo; Chevrolet and their respective logos, emblems, slogans, and vehicle model names and body designs; and other marks such as GM Fleet and Commercial are trademarks and/or service marks of General Motors, its subsidiaries, affiliates, or licensors.

For more detailed information, contact your District Sales Manager or see the online order guide at [gmfleet.com/police](http://gmfleet.com/police).

GENERAL MOTORS FLEET

